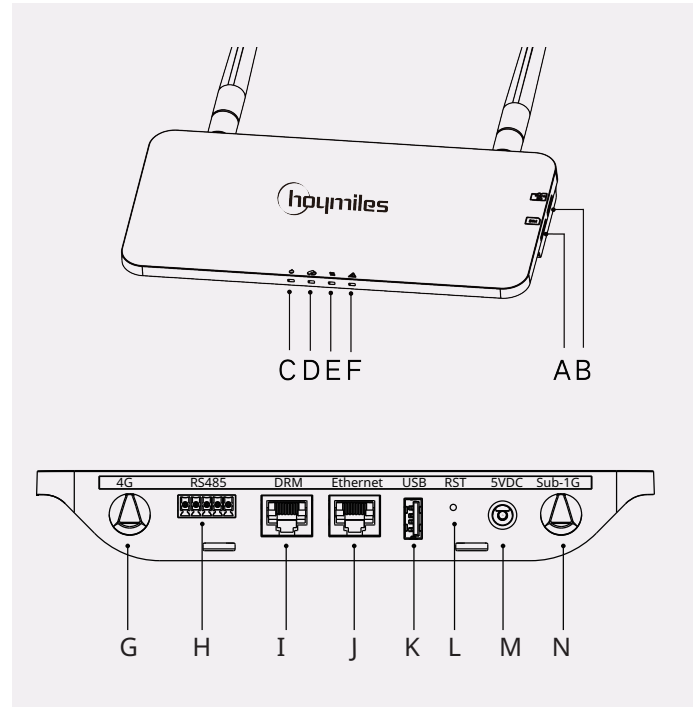


## 1. Interface Layout

Item	Description
A	SIM Card Slot
B	SD Card Slot
C	DTU Power Indicator
D	DTU Communication Indicator (With Server)
E	DTU Communication Indicator (With Microinverter)
F	DTU Alarm Indicator
G	4G Antenna
H	RS485
I	DRM Port (For Australia only)
J	Ethernet Port
K	USB Port
L	Reset Hole
M	Power Port
N	Sub-1G Antenna



## 2. Preparation

A) Scan the QR code to download the S-Miles Installer App.



B) Check the box for the following items:

✓ Hoymiles DTU-Pro-S-C	✓ One Sub-1G Antenna
✓ One 4G Antenna	✓ Adapter
✓ Bracket	✓ 5-Pin Plug
✓ SIM Card (if not pre-inserted)*	

\*: If the SIM Card is pre-inserted into the device, it will not be included as a separate item in the packing list.

C) Choose the Internet connection method for DTU: 4G or Ethernet. Prepare the following items if needed:

For 4G Option:

- ✓ SIM Card (if not pre-inserted)\*\*
- ✓ Smartphone/Tablet with S-Miles Installer App

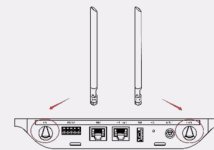
For Ethernet Option:

- ✓ Router Ethernet Cable
- ✓ Smartphone/Tablet with S-Miles Installer App

\*\* : If the SIM Card is pre-inserted into the device, no additional preparation is required.

## 3. Installation

A) Take the Sub-1G antenna and 4G antenna out of the box, then screw the antennas into the Sub-1G port and 4G port respectively.



B) Insert the SIM Card into the slot, pressing until it clicks securely in place.

(If the SIM Card is already pre-inserted in the device, visually confirm that it is properly placed in the slot.)

C) Choose an installation location.

- Install on the top floor to increase signal strength.
- Install near the center of the PV array.
- Install at least 0.5 m above the ground and more than 0.8 m away from corners.

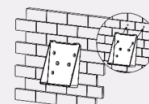
Note: Please do not install the DTU directly above metal or concrete to prevent signal interference.

D) Choose the installation method.

### Option 1: Mount the DTU on the wall.

- Position the bracket on the wall.
- Use at least two M4 screw holes (one on each side) to secure the bracket in place.

Note: M4 screws are prepared by the installer.



- Align the DTU with the bracket's upper buckle.



- Gently press the bottom of the DTU into the bracket's lower buckle until it clicks.
- Ensure the antennas are perpendicular to the wall.



### Option 2: Place the DTU on the table.

- Place the DTU on the table with antennas perpendicular to the surface.

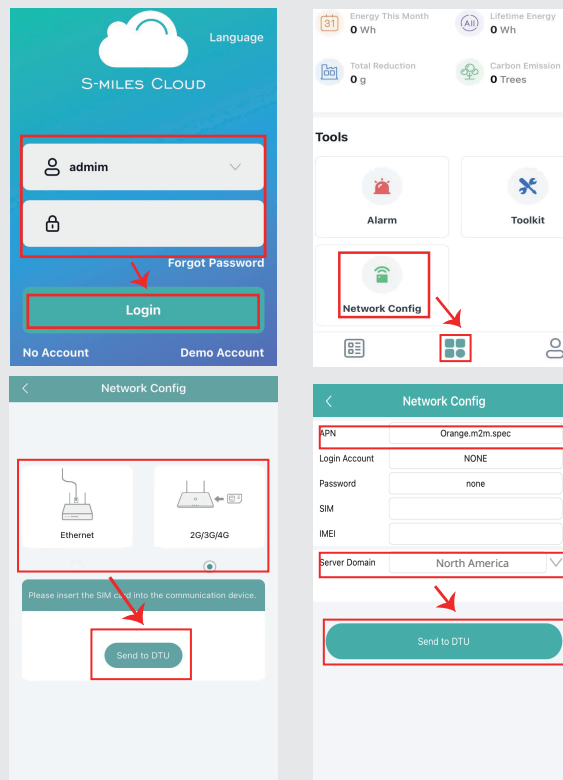


- E) Plug in the power adapter to power the DTU.
- F) Set up with the Internet.

- If you select the Ethernet option,
  - Connect one end of a LAN cable to the house router and the other end to the DTU Ethernet port.
  - Open the Installer App on your smartphone/tablet and log in.
  - Click **O&M** icon at the bottom of the page, then choose **Network Config** and further select **Ethernet**.
- If you select the 4G option,
  - Open the Installer App on your smartphone/tablet and log in.
  - Click **O&M** icon at the bottom of the page, then choose **Network Config** and further select **4G**.

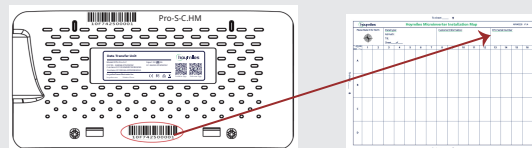
#### Note:

- For North American users, verify that you have selected "North American" from the Server Domain drop-down list.
- If you are using a DTU with pre-inserted SIM Card, the APN has been preconfigured as Orange.M2M.spec. However, if you have to modify the APN, you can tap on O&M > Toolkit > Cloud Communication > Network Config to access the APN setting page.



## 4. Completing the Installation Map

- Peel off the serial number label from the DTU and affix it to the installation map.
- Fill out the system information on the installation map as indicated.



## 5. Online Setup

To complete the DTU installation, create an online account using the steps provided in the "Quick Installation Guide for S-Miles Online Registration".

Note: For further setup instructions on Export Management and Local Installation Assistant, please contact Hoymiles Technical Support Team at [service@hoymiles.com](mailto:service@hoymiles.com) to obtain the relevant Operation Guide.

## 6. Warning

### Warning

- Only qualified personnel can install or replace the DTU.
- Do not attempt to repair the DTU, as it contains non-serviceable parts. In case of a breakdown, please contact your distributor for maintenance. Unauthorized opening of the DTU will void the warranty.

Product information is subject to change without notice. (Please download reference manuals at [www.hoymiles.com](http://www.hoymiles.com).)