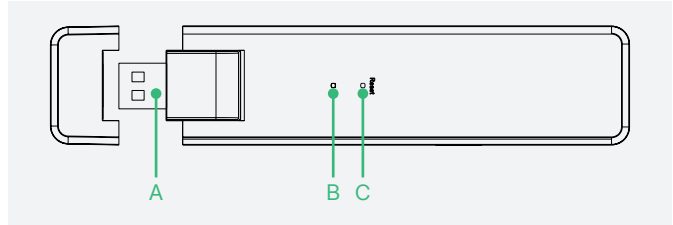


# DTU-Lite-S (Wi-Fi) Quick Installation Guide

**Warning** DTU-Lite-S (Wi-Fi) is only compatible with Hoymiles new HMS, HMT and MiS series of microinverters.

## 1. Interface Layout

Item	Description
A	USB Connector
B	Status Indicator
C	Reset Button



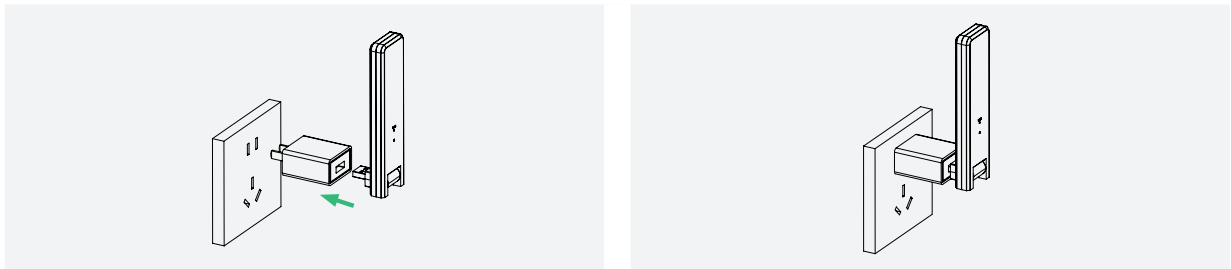
## 2. Installation

A) Check the box for the following items:

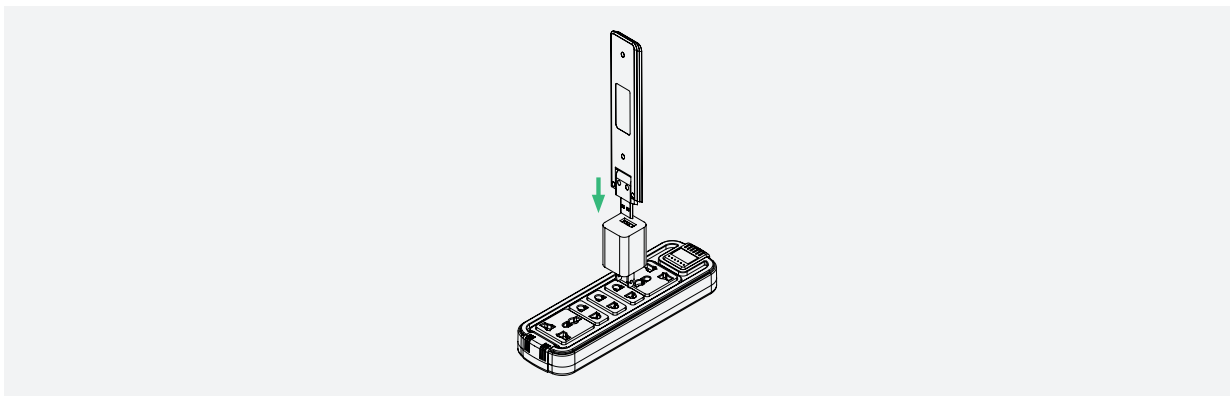
- Hoymiles DTU-Lite-S (Wi-Fi)
- Adapter

B) Power the DTU-Lite-S (Wi-Fi).

Option 1: Connect the DTU to the adapter and plug it into the wall socket.



Option 2: Connect the DTU to the adapter and plug it into the power strip.



**Note**

- Please make sure that it is placed at least 0.5 meters above the ground, and try to install the DTU at a 90 degrees angle perpendicular to the ground.
- To prevent signal attenuation, please do not install the DTU directly above metal or concrete.

C) Once the DTU powers on, the red, green and blue lights will flash for one second in turn for 30 seconds.

## 3. Network Configuration

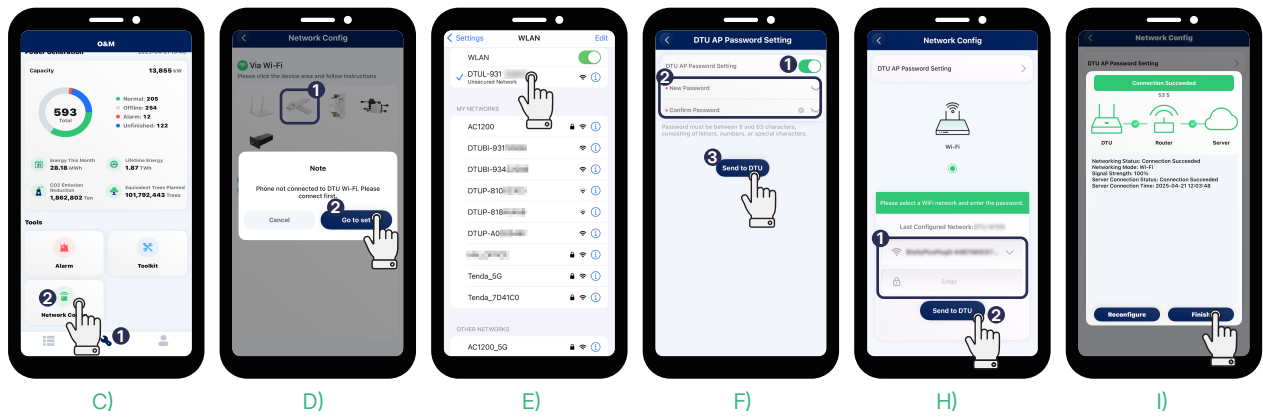
- Scan the QR code on the right side to download the S-Miles Installer App.
- Open and log in to S-Miles Installer using your credentials.



- C) Tap **O&M** > **Network Config** .
- D) Tap the picture of the DTU, and then tap **Go to set**.
- E) Select the DTU's network.

**Note**  
The DTU's network name is DTUL-last 8 digits of the SN, and is password-free by default.

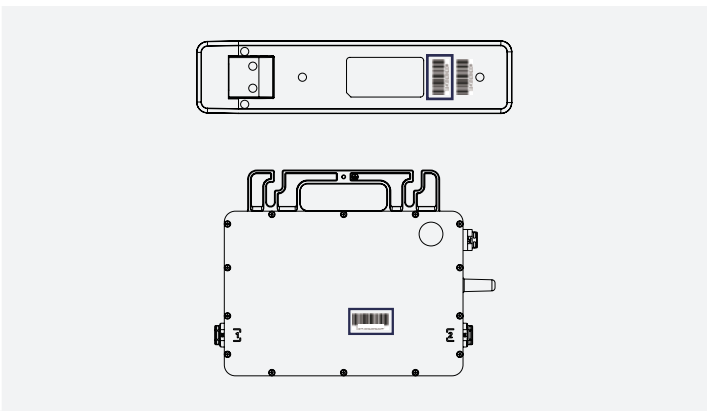
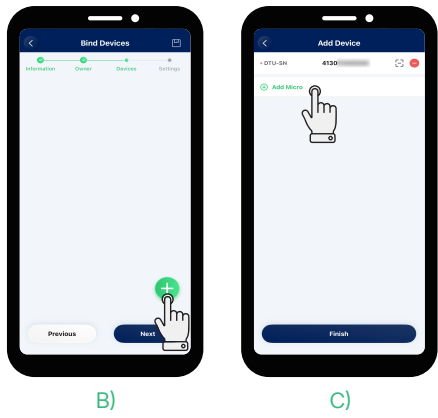
- F) Return to the App, and set the new DTU AP password.
- G) Wait for about 30 s, and connect to the DTU's network again using the new password.
- H) Return to the App, and tap **Network Config** . Select or enter the router's Wi-Fi name, and enter the password. Then tap **Send to DTU**.
- I) When the connection succeeds, tap **Finish**.



## 4. Plant Setting

- A) Tap **Plants** > to enter the plant setting procedure. Fill in the information according to the prompts.
- B) On **Bind Devices**, tap , and enter or scan the DTU SN.
- C) Tap **Add Micro**, and enter or scan the microinverter SN. Tap **Finish** after adding all devices.
- D) Follow the prompts to complete other plant settings.

**Note**  
For more details about App operation, please refer to the user manual of DTU-Lite-S.



### Regulatory Compliance Statement

- Only qualified personnel can install or replace the DTU. Hoymiles is not liable for damages resulting from improper installation and use.
- Install the DTU away from dust, liquid, and corrosive gases.
- Do not attempt to repair the DTU. Contact your installer or distributor for maintenance. Unauthorized disassembly of the DTU is strictly forbidden, and voids the warranty.

Hoymiles confirms that the product described in this guide meets the essential requirements and relevant provisions of the EU directives.

Radio Technology	Frequency Bands	Maximum Output Power
Wi-Fi	2412 to 2472 MHz	20 dBm
Sub-1G	863.25 to 869.75 MHz	14 dBm

These technical parameters apply only to EU countries.

### EU Directive Compliance

This product complies with the following EU directives and can be used without restrictions in the European Union:

- Directive 2014/53/EU (RED) and 2009/125/EC: Relating to the provision of electrical equipment within certain voltage limits on the market (Low Voltage Directive).
- Directive 2011/65/EU and 2015/863/EU (RoHS): Restricting the use of certain hazardous substances in electrical and electronic equipment.



The user manual and full text of the EU Declaration of Conformity (DoC) are available at: [www.hoymiles.com](http://www.hoymiles.com).